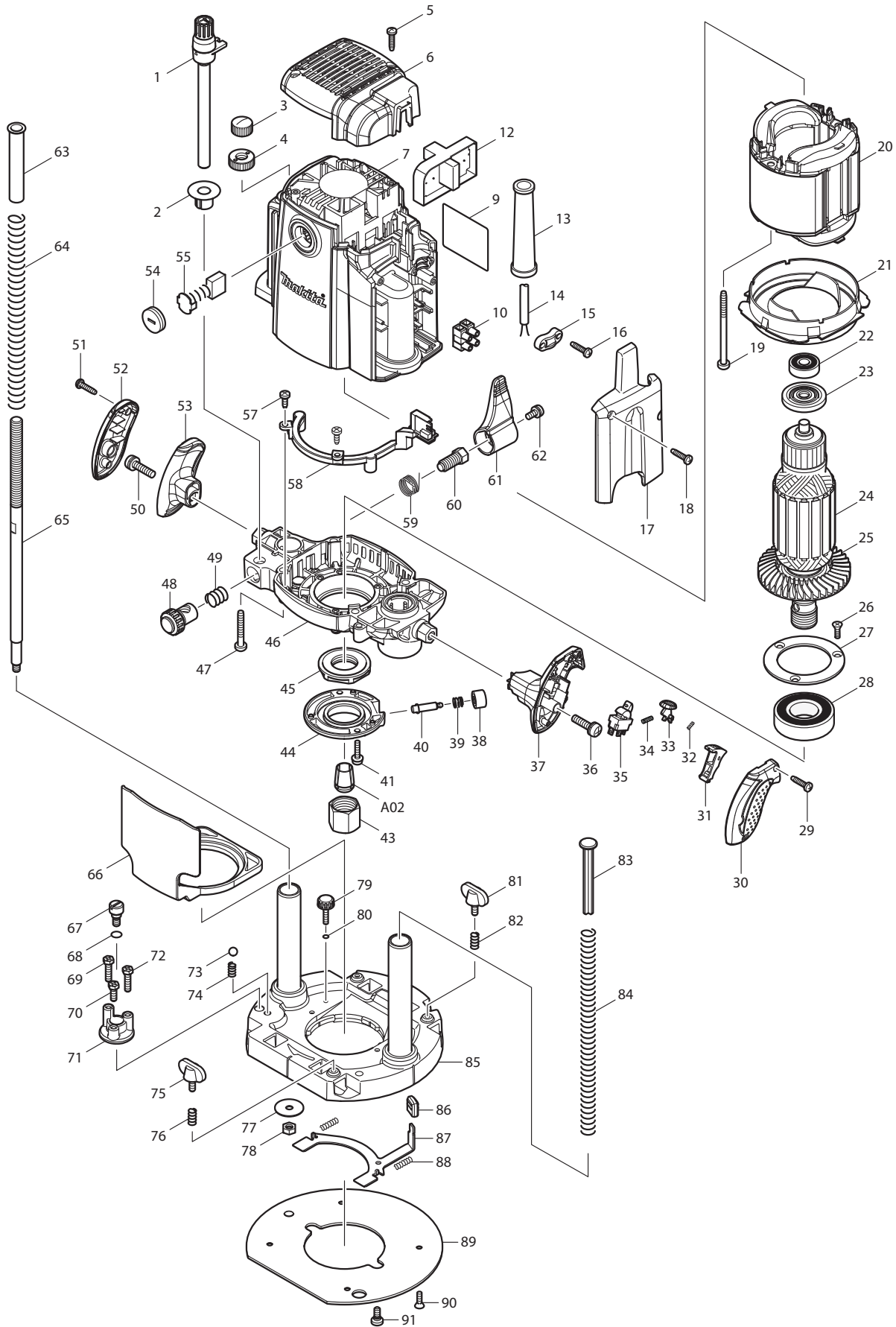




02 - 2010
RP1801F
3 1/2 HP 1/2" ROUTER



Item No	Type	Ref	R Part No	Description	Qty	Unit
001			125542-4	THUMB SCREW M10X115 ASS'Y	1	PC.
002			450946-4	DEPTH POINTER	1	PC.
003			252643-6	WING NUT M10	1	PC.
004			410129-8	NYLON NUT M10	1	PC.
005			265995-6	TAPPING SCREW 4X18	2	PC.
006			450948-0	REAR COVER	1	PC.
007			140003-3	MOTOR HOUSING COMPLETE	1	PC.
		INC.	643707-1	BRUSH HOLDER	2	PC.
		INC.	638648-4	SUPPORT UNIT	1	PC.
		INC.	816922-2	SCALE PLATE	1	PC.
009			866375-5	NAME PLATE F/RP1801F	1	PC.
010			654531-7	TERMINAL BLOCK 2P	1	PC.
012			631860-5	POWER SUPPLY CIRCUIT	1	PC.
013			682505-8	CORD GUARD 10-90	1	PC.
014			664463-0	CORD W/PLUG 2P-14-2.5M, SJ	1	PC.
015			687052-4	STRAIN RELIEF	1	PC.
016			265995-6	TAPPING SCREW 4X18	2	PC.
017			450949-8	COVER	1	PC.
018			265995-6	TAPPING SCREW 4X18	2	PC.
019			266059-9	TAPPING SCREW 5X75	2	PC.
020			636056-3	FIELD 115V	1	PC.
021			450944-8	BUFFLE PLATE	1	PC.
022			211092-6	BALL BEARING 629DDW	1	PC.
023			681671-8	INSULATION WASHER	1	PC.
024			517801-4	ARMATURE ASS'Y	1	PC.
		INC.		Item No. 22, 23, 25		
025			240112-9	FAN 80	1	PC.
026			251295-0	COUNTERSUNK HEAD SCREW M4X14 W/ADHESIVE	3	PC.
027			285731-4	BEARING RETAINER 60	1	PC.
028			211380-1	BALL BEARING 6205DDW	1	PC.
029			265995-6	TAPPING SCREW 4X18	2	PC.
030			450937-5	GRIP COVER R	1	PC.
031			450940-6	SWITCH LEVER	1	PC.
032			233024-3	COMPRESSION SPRING 4	1	PC.
033			450941-4	LOCK OFF BUTTON	1	PC.
034			231372-4	COMPRESSION SPRING 5	1	PC.
035			651430-4	SWITCH	1	PC.
036			911343-4	PAN HEAD SCREW M6X25	1	PC.
037			450936-7	GRIP R	1	PC.
038			450942-2	PUSH BUTTON	1	PC.
039			233072-2	COMPRESSION SPRING 8	1	PC.
040			268234-3	COLLARED PIN 6	1	PC.
041			911133-5	PAN HEAD SCREW M4X18	2	PC.
043			763674-5	COLLET NUT	1	PC.
044			318382-9	RETAINER COVER	1	PC.
045			285849-1	RETAINER	1	PC.
046			158972-4	MOTOR BRACKET COMPLETE	1	PC.
047			266012-5	TAPPING SCREW 5X35	4	PC.
048			153476-1	HALF NUT COMPLETE	1	PC.
049			231231-2	COMPRESSION SPRING 12	1	PC.
050			911343-4	PAN HEAD SCREW M6X25	1	PC.
051			265995-6	TAPPING SCREW 4X18	2	PC.
052			450939-1	GRIP COVER L	1	PC.
053			450938-3	GRIP L	1	PC.
054			643700-5	BRUSH HOLDER CAP 7-18	2	PC.

Item No	Type	Ref	R Part No	Description	Qty	Unit
055	2		194991-6	CARBON BRUSH CB203 (2PCS/SET) (WITH ORIGIN)	1	SET
057			266026-4	TAPPING SCREW BIND CT 4X12	2	PC.
058			631862-1	LED CIRCUIT	1	PC.
059			233538-2	TORSION SPRING 15	1	PC.
060	1		266015-9	SET BOLT M10	1	PC.
	2		265C75-6	SET BOLT M10	1	PC.
061			450950-3	LOCK LEVER	1	PC.
062			911213-7	PAN HEAD SCREW M5X12	1	PC.
063			450943-0	SILENT POLE	1	PC.
064			234106-4	COMPRESSION SPRING 13	1	PC.
065			325652-9	SCREW M10	1	PC.
066			450953-7	TIP DEFLECTOR	1	PC.
067			251467-7	- FLAT HEAD SCREW M6	1	PC.
068			213030-4	O RING 8	1	PC.
069			265587-1	+HEX. BOLT M5X20	1	PC.
070			265586-3	+HEX. BOLT M5X14	1	PC.
071			315931-3	STOPPER	1	PC.
072			265587-1	+HEX. BOLT M5X20	1	PC.
073			216009-4	STEEL BALL 7.1	1	PC.
074			231419-4	COMPRESSION SPRING 5	1	PC.
075			265720-5	THUMB SCREW M5X14	1	PC.
076			231240-1	COMPRESSION SPRING 7	1	PC.
077			253783-3	FLAT WASHER 6	1	PC.
078			931303-0	HEX. NUT M6	1	PC.
079			265774-2	THUMB SCREW M4X19	1	PC.
080			213022-3	O RING 3	1	PC.
081			265720-5	THUMB SCREW M5X14	1	PC.
082			231240-1	COMPRESSION SPRING 7	1	PC.
083			417252-0	POLE	1	PC.
084			234105-6	COMPRESSION SPRING 11	1	PC.
085			158973-2	BASE COMPLETE	1	PC.
086			424176-3	CAP 14	1	PC.
087			346032-6	LOCK PLATE	1	PC.
088			233105-3	COMPRESSION SPRING 4	2	PC.
089			450951-1	BASE PLATE	1	PC.
090			912112-6	COUNTERSUNK HEAD SCREW M4X10	4	PC.
091			266016-7	SET BOLT M5X10	2	PC.
100			652014-1	PAN HEAD SCREW M4X8(FOR SWITCH)	3	PC.
101			654038-3	INSULATED TERMINALFT1.25-M4	3	PC.
102			654510-5	INSULATED CONNECTOR 5.5-SD	3	PC.
200			849938-2	CARTON	1	PC.

ACCESSORIES

- See catalogue or visit www.makita.ca for more optional accessories -

A01			158980-5	KNOB 55 COMPLETE	1	PC.
A02			763622-4	COLLET CONE 1/2"	1	PC.
A03			763803-0	COLLET SLEEVE FOR 1/4" BIT	1	PC.
	Opt.		763805-6	COLLET SLEEVE FOR 3/8" BIT	1	PC.
A04			781030-7	WRENCH 24	1	PC.
A05			123022-4	TRIMMER GUIDE ASS'Y	1	PC.
		INC.	342427-1	PLATE HOLDER	1	PC.
		INC.	941101-4	FLAT WASHER 5	1	PC.
		INC.	942101-7	SPRING WASHER 5	1	PC.
		INC.	924206-5	WING BOLT M5X10	1	PC.
		INC.	163053-1	ROLL	1	PC.

Item No	Type	Ref R	Part No	Description	Qty	Unit
A07			193312-9	STRAIGHT GUIDE, W/MICRO ADJUSTMENT, STEEL	1	PC.
	INC.		193360-8	ROD 7, 2PC/SET	1	SET
	INC.		193292-9	ROD 8, 2PC/SET	1	SET
	INC.		193359-3	ROD 12, 2PC/SET	1	SET
A08			122256-6	GUIDE HOLDER ASSY (USE WITH A09)	1	PC.
A09			342428-9	STRAIGHT GUIDE (USE WITH A08)	1	PC.
A10			252627-4	NUT M30 (USE WITH A11 AND A12)	1	PC.
A11			321492-3	TEMPLET GUIDE ADAPTER 30	1	PC.
A12			193235-1	TEMPLET GUIDE 25	1	PC.
A13			783208-8	HEX. WRENCH 2.5	1	PC.
A14			194368-5	GUIDE RAIL 1400MM	1	PC.
			194925-9	GUIDE RAIL 1900MM	1	PC.
			194367-7	GUIDE RAIL 3000MM	1	PC.
A15			194579-2	GUIDE RAIL ADAPTOR	1	PC.
A16			P-80023	DUST NOZZLE SET	1	SET
A17			266491-7	* +PAN HEAD SCREW M6X135 (see Notes)	1	PC.
A18			941152-7	* FLAT WASHER 6 (see Notes)	1	PC.
A19			-----	DOVETAIL ROUTER BITS		
A20			122700-3	GUIDE HOLDER ASSY	1	PC.
A21			-----	TEMPLET GUIDES		
			345387-6	TEMPLET GUIDE 5/8" Use F/KJ150	1	PC.
A23			194385-5	GUIDE RAIL CLAMP SET	1	PC.
A24			196664-7	BEVEL GUIDE	1	PC.

*Item No. A17 & 18: Screw and Washer are used for Cutting Depth Adjustment when using Router Table purchased in the market. these parts are not coming with tool and not equipped in the tool.

